

4103

41 Series

- 2-Stroke
- Air Cooled
- Exceptional Reliability
- Latest Unmanned Aerial Vehicle (UAV) Technology
- Maximum Performance in Extreme Conditions
- Starter-Generator-System



DESCRIPTION

Reliable in a Wide Operating Range

The 41 Series air cooled two-stroke engines utilise advanced closed-loop control, optimising performance for extreme environmental conditions.

Based on the world-renowned 4103 engine – which has flown more than 20,000 missions in theatre across the globe – the new 41 Series has been updated with the latest in engine technology providing a top shelf propulsion system that meets the demanding requirements of the unmanned aerial vehicle (UAV) market.

Featuring automatic altitude and temperature compensation for reliable start and operation, this engine series has flown over 20,000 missions in theatre around the globe.



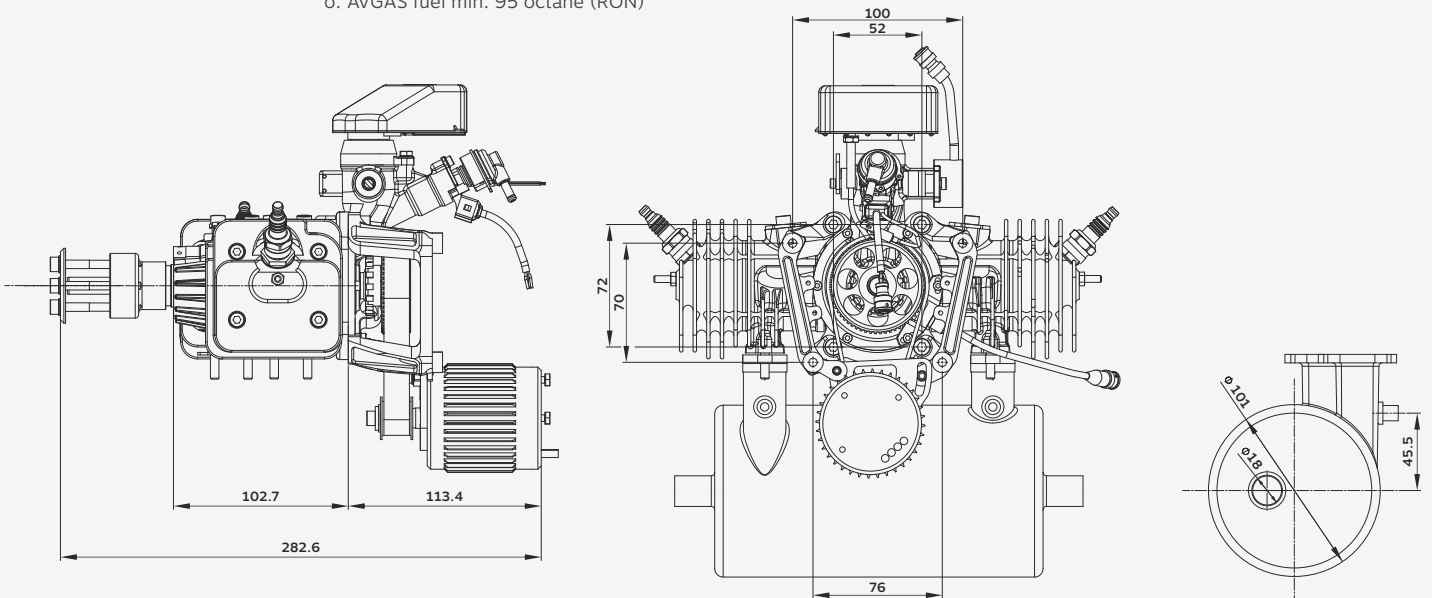
4103



41 Series

TECHNICAL SPECIFICATION:

TYPE:	Two cylinder two stroke (opposed)	WEIGHT:	3400 g (7.5 lb) with exhaust system, sensors and wiring harness 600 g (1.33 lb) subcomponents (ECU, ignition system, fuel supply)
DISPLACEMENT:	100 cm³ (6.3 in ³)	LENGTH:	282 mm (11.13 in)
STROKE:	34 mm (1.34 in)	WIDTH:	286 mm (12.99 in)
BORE:	44 mm (1.73 in)	HEIGHT:	308 mm (6.29 in)
MAX. PERFORMANCE:	5,96 kW (8 HP) at 6700 rpm according DIN 70020	RUNNING DIRECTION:	Clockwise , view to output shaft
SPEED RANGE:	1800-6500 RPM	COOLING:	Air cooled
MIXTURE FORMATION:	Fuel injecton	CONTROL:	Integrated throttle servo (Fa. Volz)
IGNITION SYSTEM:	CDI controlled by the ECU		
FUEL MIXTURE:	Mixture 1:80 2-stroke-oil API TC or BLUEMAX, MOGAS o. AVGAS fuel min. 95 octane (RON)		



OPTIONS

- 2 exhaust styles
- 500W starter/generator
- Oil injection

Hirth is a registered trademark of Hirth Engine GmbH. All rights reserved. This is not a certified aircraft engine! It has not received the safety and durability testings specified by aircraft standards. It is only for use in uncertificated experimental aircraft or vehicles when there is no risk for the safety due to an engine failure. Never fly the aircraft equipped with this engine in circumstances or in areas, in weather-conditions or in altitudes where you have no chance for successful landing after an engine failure. The user is taking all risk resulting from the use of this engine and he is aware of the possibility of sudden functional disturbances. www.hirthengines.com



AUTHORIZED HIRTH ENGINE DISTIBUTOR FOR NORTH AND CENTRAL AMERICA
11160 SW Durham Lane, Suite 1 | McMinnville, OR 97128
Office: 503.434.6845 | Fax: 503.217.6080 | www.nwuav.com



The materials contained in this brochure are provided for information only, "as is" without any warranties, express or implied, including warranties of merchantability, fitness of purpose and non-infringement of third-party intellectual property. While every effort is made to ensure that the information and specifications are accurate, the scope of information is limited by nature. NWUAV Propulsion Systems reserves the right to make changes to the Products described in the Product Brochure at any time, without notice. The application of our products is dependent upon the operating mission, environmental conditions, loads and other factors; none of which can be ascertained by this brochure. Any technical advice or information gleaned from this Product Brochure is given in good faith and without charge, and said advice and information is provided by NWUAV Propulsion Systems without assumption of liability or obligation. This brochure and the information it contains is the work product of NWUAV Propulsion Systems ("NWUAV"). All title, ownership rights and intellectual property rights in and relating to this brochure is owned by NWUAV or used by NWUAV through pre-authorization by third parties and cannot be used without its express prior written permission.