

"tough tech for tough environments"



PA-R-135-4 servo-actuator

The PEGASUS PA-R-135-4 micro – low profile - servo actuator is currently the worlds smallest professional servo actuator.

data sheet - technical specifications

| Performance data: | | | |
|---|----------------------------|-----------|-----------|
| Operating voltage: | 6VDC | 12VDC | 24VDC |
| Voltage range: | 6 - 8VDC | 8 - 16VDC | 18 -32VDC |
| Standby current: | 20mA | | |
| Peak current - short time: | 1300mA | 700mA | 330mA |
| Stall current – continuous*: | 680mA | 300mA | 170mA |
| Speed at rated torque: | 225°/sec | 175°/sec | 175°/sec |
| No load speed: | 425°/sec | 410°/sec | 410°/sec |
| Stall torque*2: | > 60Ncm (> 84 oz-in) | | |
| Rated torque*3: | 30Ncm (42 oz-in) | | |
| Gear train backlash: | < 0,5° | | |
| Travel angle: | ± 45° (-5%) | | |
| PA-SC lock out momentum: | 80Ncm (113 oz-in.) +20% | | |
| Min detectable signal step: | max 0,25µsec. (adjustable) | | |
| Weight: | 65g (2,3 oz) | | |
| Input signal: | | | |
| PWM signal, TTL level (standard) | | | |
| PWM signal, differential (RS485 transceiver) (optional) | | | |
| or RS485 data protocol (optional) | | | |
| Position feedback: | | | |
| analog, differential: 0-5V | | | |
| Environmental data: | | | |
| Operating temperature: -40°C - +60°C (-40°F - +140°F) | | | |
| up to +100°C (+212°F) on special request | | | |
| Storage temperature: -40°C - +70°C (-40°F - +158°F) | | | |
| Environmental specifications: | | | |
| Vibration test: IEC 68-2-6 / EN 60068-2-6 | | | |
| Shock test: IEC 68-2-32 | | | |
| Protection class: IP67 | | | |



* limited by overload protection circuit
*2 limited by slip clutch
*3 according to specifications of Pegasus Actuators GmbH (please inquire the test-specifications)

| | |
|--|---------------------------|
| DISTRIBUTOR Northwest UAV A GLOBAL COMPANY | +1 503.434.6845 |
| | +1 503.217.6080 |
| | customerservice@nwuav.com |
| | www.nwuav.com |
| 11160 SW Durham Lane, Suite 1 McMinnville, OR 97128 USA | |

"tough tech for tough environments"

PA-R-135-4 servo-actuator



data sheet – technical specification

Main components - Case:

IP67 water and dust protected with solid vertical 4 point and horizontal 3 point fixation.

material: CNC machined aluminum, bead blasted and anodized

Main components – Gear train:

hardened steel, spur gear type, 2 ball races with PA-SC overload protection output shaft.

Main components - Motor:

Neodym-magnet DC motor

Main components - Amplifier:

digital positioning controller

Main components - Sensor:

PA-ME magnetic angle sensor as standard

mechanical: 360° (no end stops)

Electrical - (standard): $\pm 45^\circ$

Main components - Connector:

- 30 cm pigtail, no connector

length and connector can be specified by the customer

- Gienair SuperFly series 881- 7 pin connector

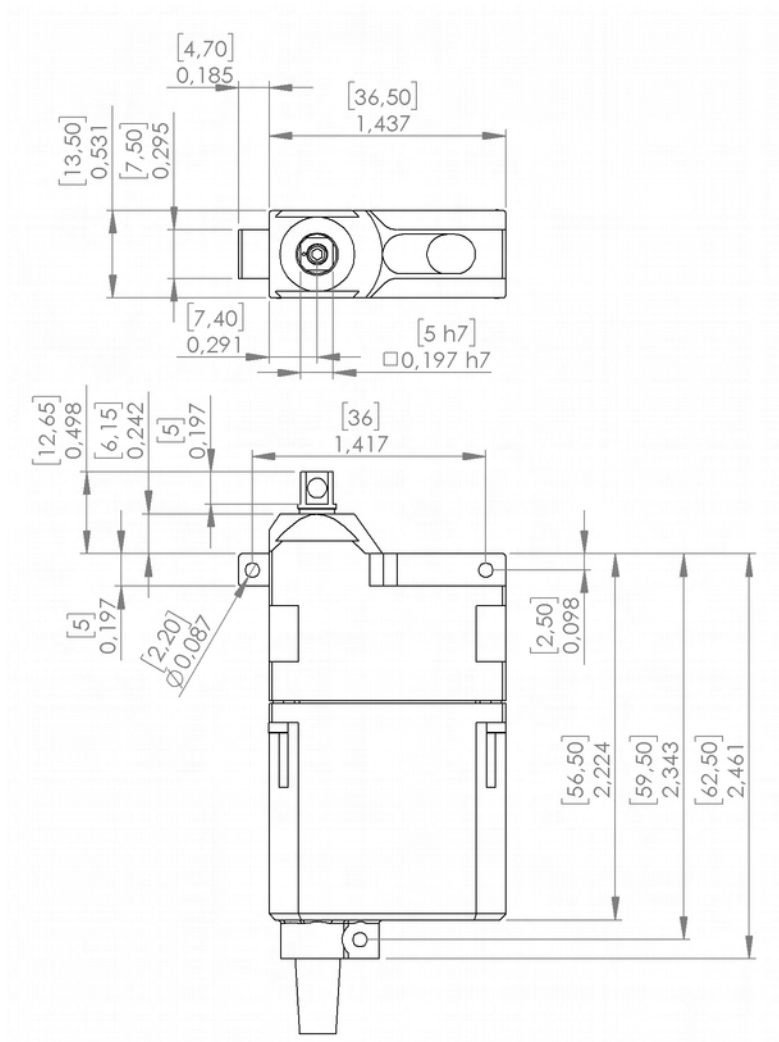
"tough tech for tough environments"

PA-R-135-6 Actuator



PA-R-135-6 Actuator

Dimensions are in: [mm]
inch



Dimensions not particular specified are: $\pm 0,0039$ inch / $\pm 0,1$ mm

"tough tech for tough environments"

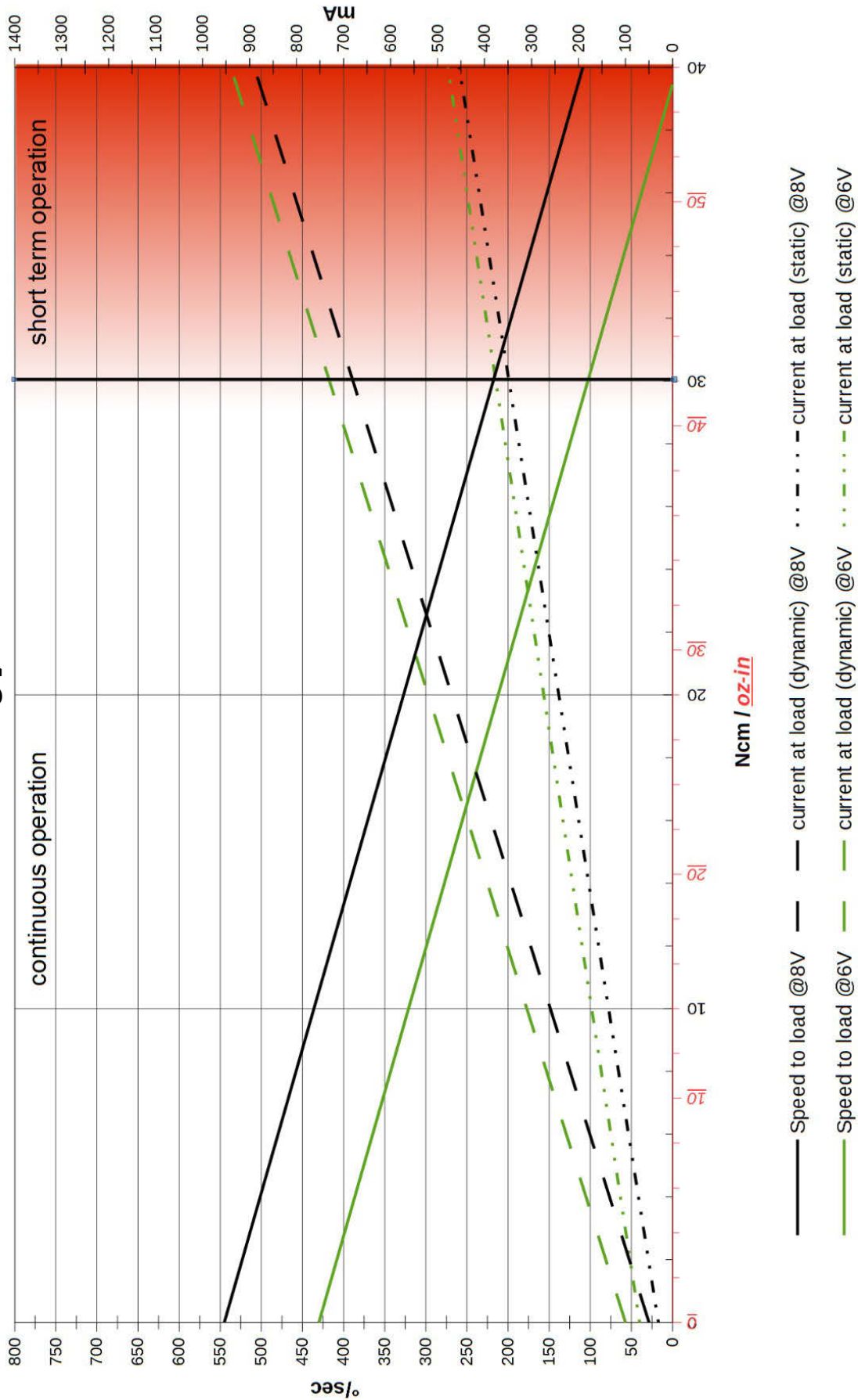
Pegasus



PA-R-135-4 servo-actuator

Actuators GmbH

PA-R-135-4-C-06-X-XXX-XX
6V



! The overload protection limits the performance of the actuator during overload conditions. !

"tough tech for tough environments"

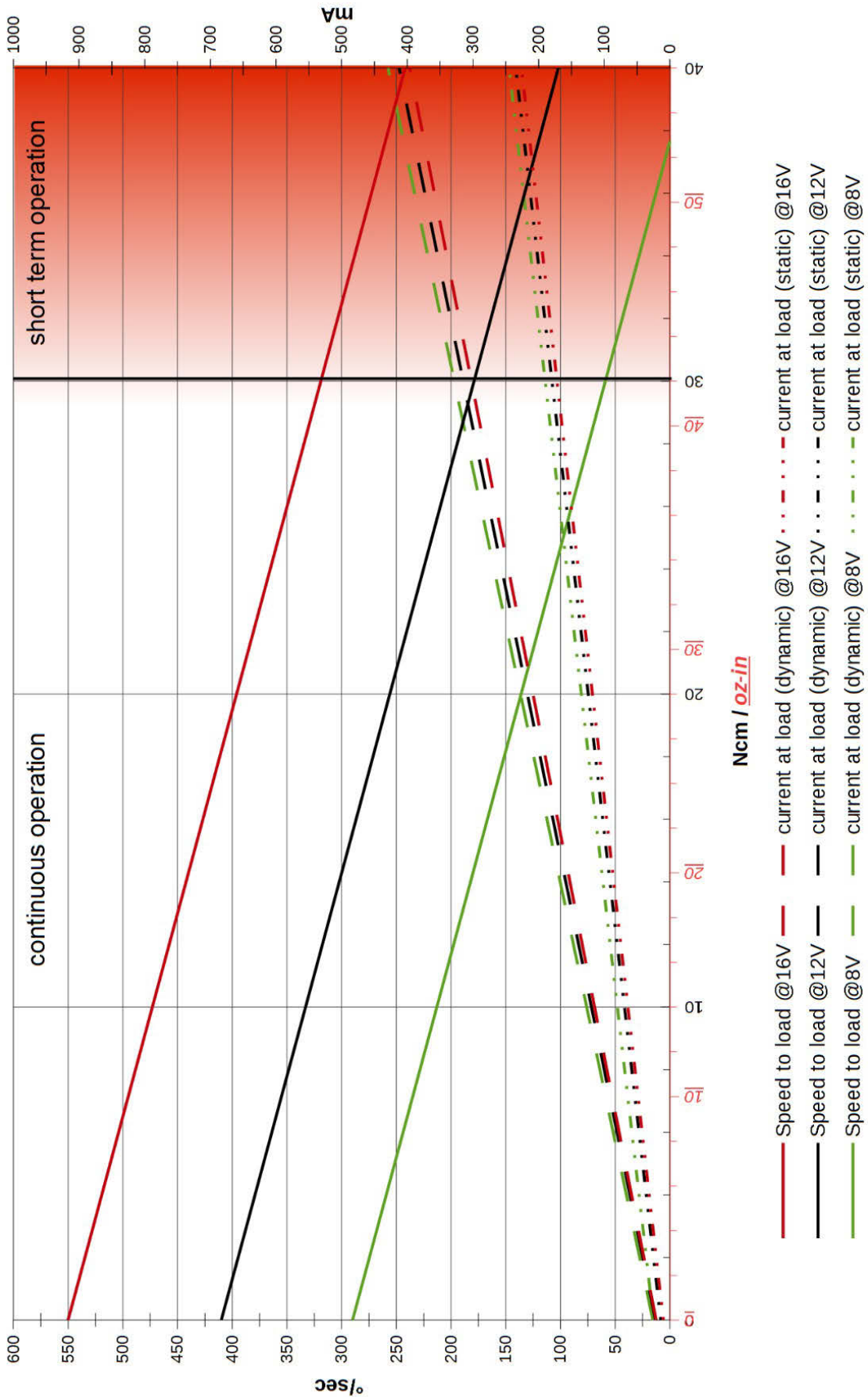
Pegasus



PA-R-135-4 servo-actuator

Actuators GmbH

**PA-R-135-4-C-12-X-XXX-XX
12V**



! The overload protection limits the performance of the actuator during overload conditions. !

"tough tech for tough environments"

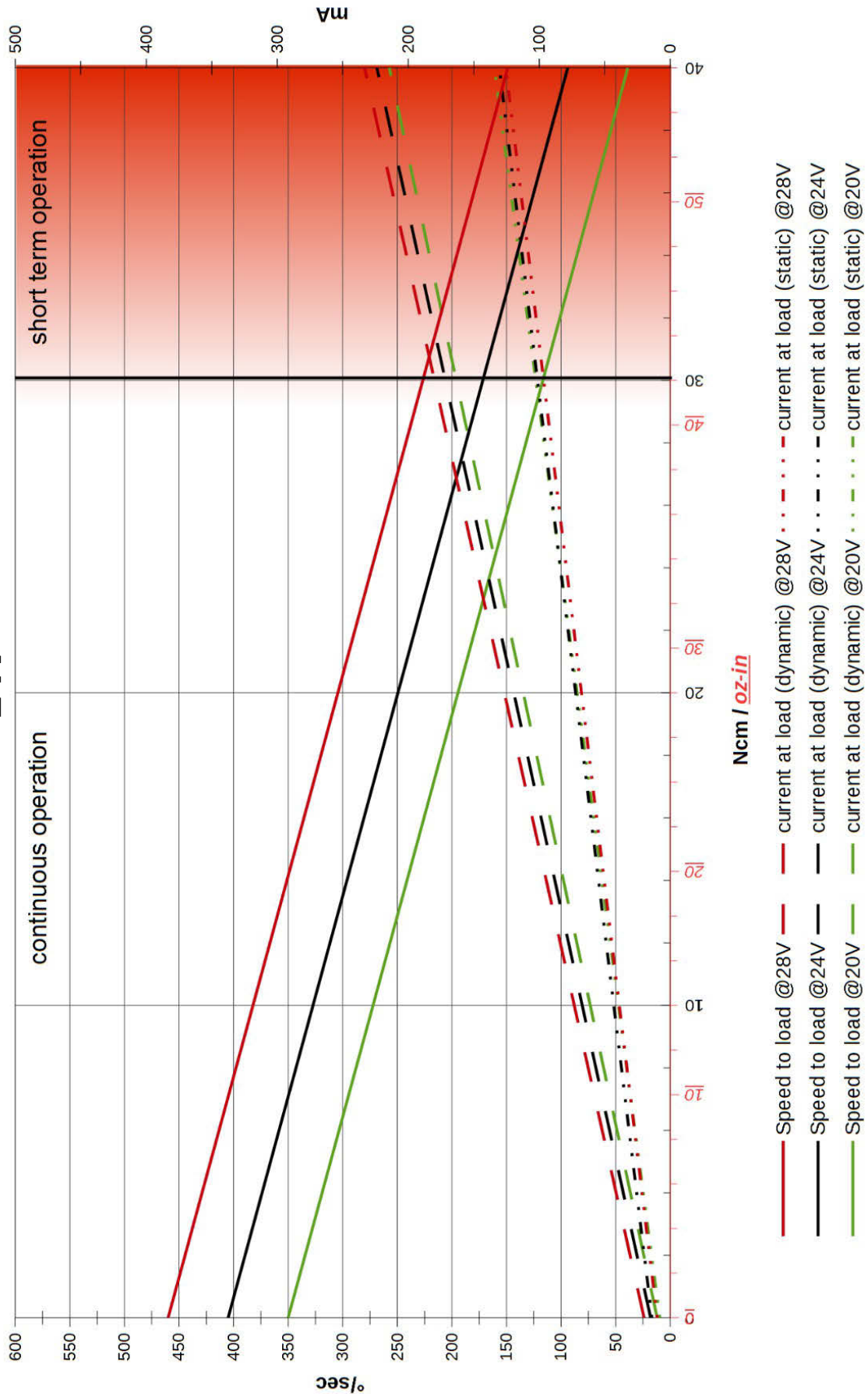
Pegasus



PA-R-135-4 servo-actuator

Actuators GmbH

**PA-R-135-4-C-24-X-XXX-XX
24V**



! The overload protection limits the performance of the actuator during overload conditions. !